

TEXSTEAM D Series Plug Valves

Low-maintenance, bubble-tight sealing for severe service applications

TECHNOLOGY

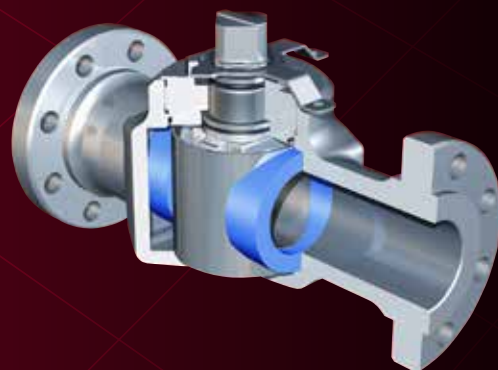


Table of Contents

TEXSTEAM D SERIES PLUG VALVES

Features and Benefits.....	2
Specifications and Materials.....	3
Applications.....	4
Flanged End Dimensions.....	5
Threaded End Dimensions.....	6
Flow Coefficients – Torque and Wrench Data.....	7
CAMSERV Services for Valves and Actuation.....	8
Trademark Information.....	9

TEXSTEAM D Series Plug Valves

FEATURES AND BENEFITS

For severe service conditions – H₂S, CO₂ and abrasive applications – Cameron’s TEXSTEAM™ D Series plug valves are ideal.

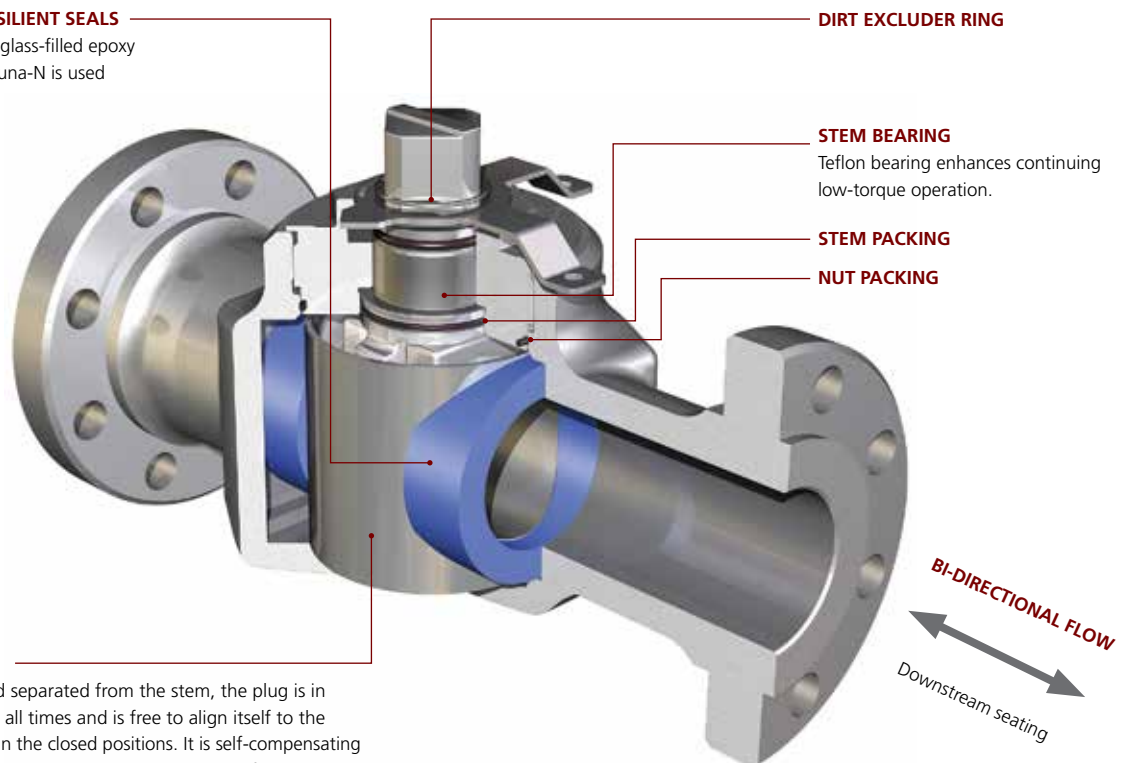
- Bubble-tight sealing
- Soft seats resistant to pitting or scratching
- Round ports reduce fluid turbulence and pressure drop
- No lubrication required for operation or sealing, reducing maintenance costs
- Compact and lightweight design as a result of no lubrication system
- Top-entry in-line repair allows seat/plug removal/replacement without removing the body from the line
- Wide temperature range for severe service conditions
- Ample internal clearance prevents solid buildup from interfering with the free movement of the plug in water, cementing and drilling mud operations
- Position indicator and locking plate for port position indication and tamper resistance
- Quarter-turn operation with cast integral stops ensures quick positive control
- Square stem is robust and requires no special wrench for operation (wrenches are available as an option)
- Repair kits are available for quick and economical repair with reduced downtime
- Durability from wear and shock-resistant components

MOLDED SEATS – RESILIENT SEALS

Specially compounded glass-filled epoxy composition with PC Buna-N is used (FKM optional).

SELF-ALIGNING PLUG

Internally balanced and separated from the stem, the plug is in complete alignment at all times and is free to align itself to the downstream seat face in the closed positions. It is self-compensating for normal wear. All plugs are electroless nickel-plated for corrosion and wear resistance. 316 stainless steel plug and stem are available as an option.



SPECIFICATIONS AND MATERIALS

Sizes

- 1" reduced port through 4" reduced port
- 2" and 3" available in reduced port and full port

Pressures

- Flanged (RF, RJ) are available in ASME Class 150, 300 and 600
- Threaded, butt weld and socket weld are available in 1" valves for 285 psi through 3000 psi and 2" through 4" valves for 285 psi through 2000 psi

Temperature Ranges

- PC Buna trim for -20° F to 200° F (-29° C to 93° C)
- FKM trim available for -10° F to 400° F (-24° C to 204° C)

Body Materials

- ASTM WCC carbon steel
- 40,000 tensile (min.); 36,000 yield (min.); and 22% elongation in 2" (min.)

Seat Materials

- Soft, PC Buna-N* injection-molded seats allow TEXSTEAM D Series valves to be effective (*FKM optional)
- Resistant to pitting or scratching under tough service conditions

Standards

- Meets NACE MR0175
- Built and tested to ASME B16.34



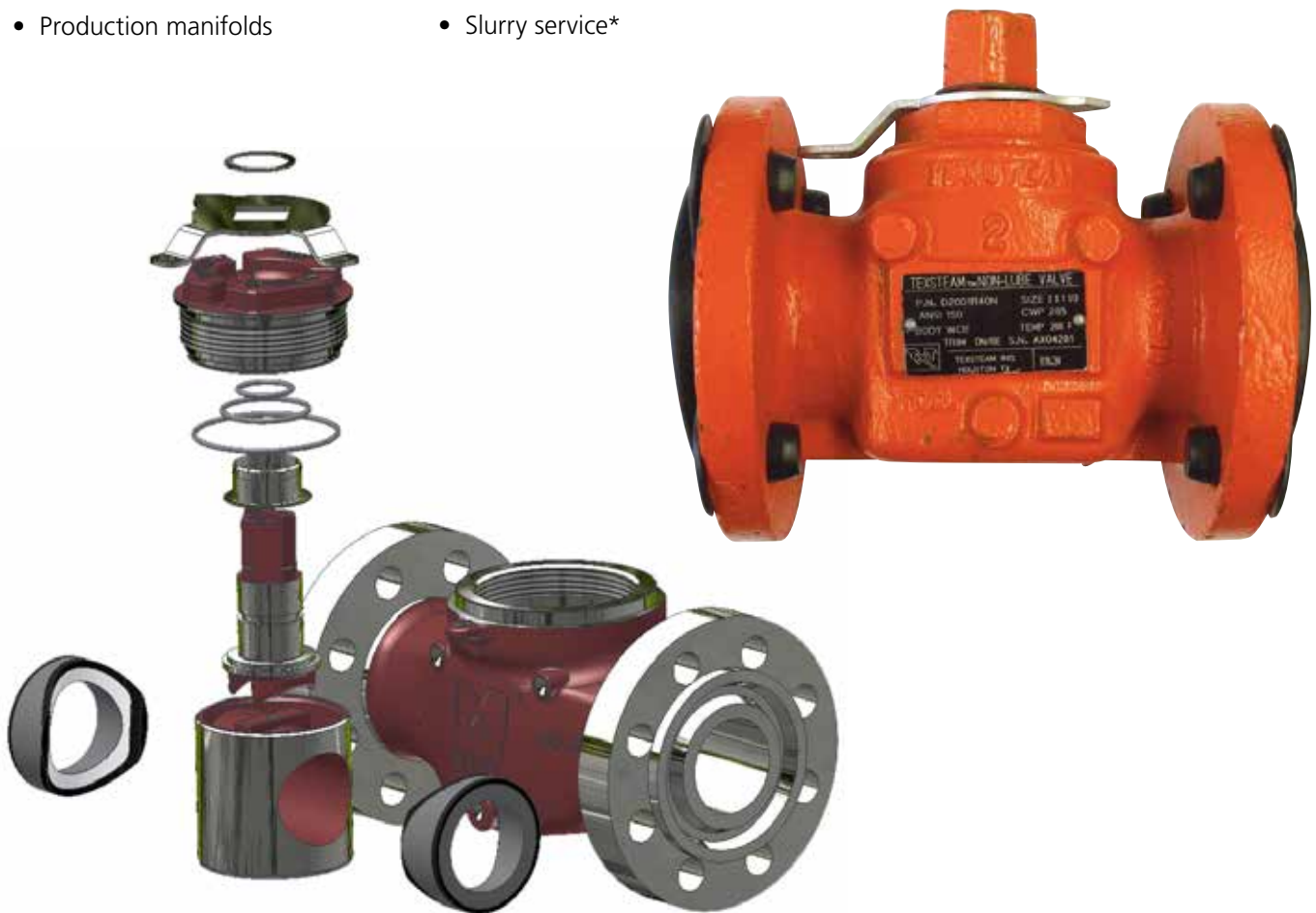
Materials List

Item	No. Required	Name of Part	
1	1	Body	ASTM A216 WCC Carbon Steel
2	2	Seat	PC Buna-N (FKM Optional)
3	1	Plug	ASTM A395 Nickel-plated
4	1	Stem Nut	ASTM A216 WCB
5	1	Stem	ASTM A395 Ductile Iron
6	1	Stem Bearing	Teflon-filled Nylon
7	1	O-ring	70 Durometer PC Buna-N (FKM Optional)
8	1	O-ring	70 Durometer PC Buna-N (FKM Optional)
9	1	O-ring	70 Durometer PC Buna-N (FKM Optional)
10	1	Snap Ring	Carbon Steel
11	1	Locking Plate	Carbon Steel Cadmium-plated

APPLICATIONS

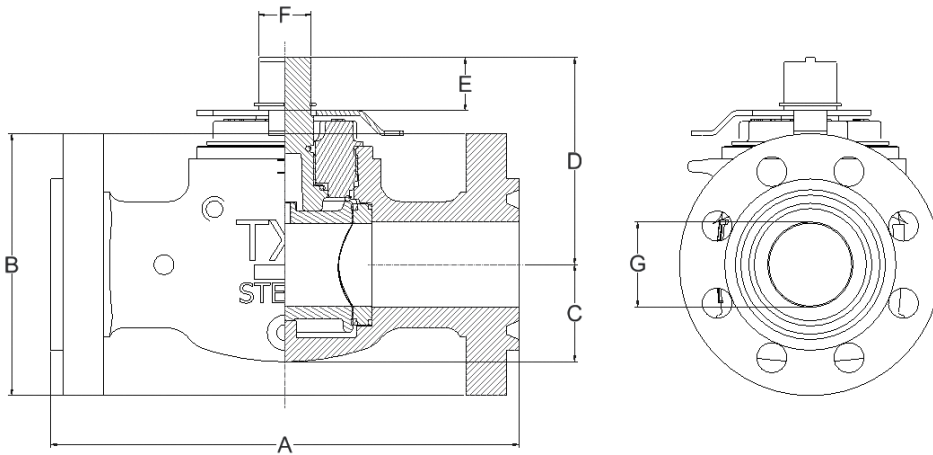
TEXSTEAM D Series plug valves feature a time-tested design that has provided long service life in tough oilfield conditions worldwide since 1965.

- Tank batteries
- Oil, gas and water flowlines
- Gas systems
- Christmas tree service
- Saltwater injection
- Vacuum
- Pneumatic or electric actuators
- Production manifolds
- Compressed air-gas
- Metering stations
- Loading racks
- Underground gas storage
- LPG service
- Compressor installations
- Drilling fluids
- Slurry service*



*Independent laboratory tests results using both water and low-pressure air in a 2% sand slurry mix confirmed bubble-tight sealing after 50 hours of flow testing and 500 operational cycles.

FLANGED END DIMENSIONS



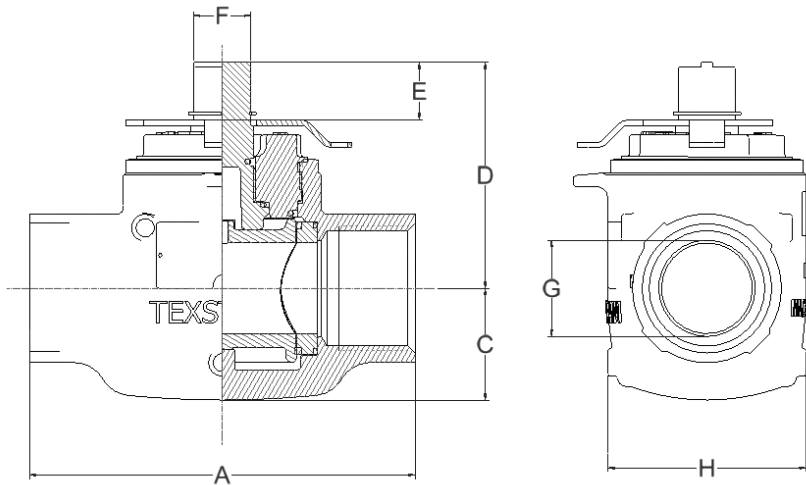
Flanged End Dimensions

Valve Size (in.)	Model Number	ASME Class	Working Pressure	Port Opening	Dimension (inches)							Weight (lb)
					A	B	C	D	E	F	G	
1	6104	150	285 psi	Reduced	5-1/2	4-1/4	2-1/8	3-1/8	1	1-1/8	15/16	9.1
	6304	300	740 psi	Reduced	6-1/4	4-7/8	2-7/16	3-1/8	1	1-1/8	15/16	12.1
	6604	600	1480 psi	Reduced	8-1/2	4-7/8	2-7/16	3-1/8	1	1-1/8	15/16	12.7
2	6104	150	285 psi	Reduced	7	6	3	4-1/8	1-3/8	1-5/16	1-5/8	22.5
	6106	150	285 psi	Full	10-1/2	6	3	4-5/8	1	1-5/16	2-5/8	36.0
	6304	300	740 psi	Reduced	8-1/2	6-1/2	3-1/4	4-1/8	1-3/8	1-5/16	1-5/8	26.5
	6306	300	740 psi	Full	11-1/8	6-1/2	3-1/4	4-5/8	1	1-5/16	2-1/8	38.0
	6604	600	1480 psi	Reduced	11-1/2	6-1/2	3-1/4	4-1/8	1-3/8	1-5/16	1-5/8	39.0
	6606	600	1480 psi	Full	11-1/2	6-1/2	3-1/4	4-5/8	1	1-5/16	2-1/8	41.0
3	6104	150	285 psi	Reduced	8	7-1/2	3-3/4	4-9/16	1	1-5/16	2-1/8	41.0
	6106	150	285 psi	Full	13-1/2	7-1/2	3-3/4	6-7/16	1-3/4	2-3/16	3-1/8	70.0
	6304	300	740 psi	Reduced	11-1/8	8-1/4	4-1/8	4-9/16	1	1-5/16	2-1/8	45.0
	6306	300	740 psi	Full	15-1/4	8-1/4	4-1/8	6-7/16	1-3/4	2-3/16	3-1/8	84.0
	6604	600	1480 psi	Reduced	14	8-1/4	4-1/8	4-9/16	1	1-5/16	2-1/8	67.0
	6606	600	1480 psi	Full	17-1/2	8-1/4	4-1/8	6-7/16	1-3/4	2-3/16	3-1/8	124.0
4	6104	150	285 psi	Reduced	9	9	4-1/2	6-7/16	1-3/4	2-3/16	3-1/8	75.0
	6304	300	740 psi	Reduced	12	10	5	6-7/16	1-3/4	2-3/16	3-1/8	105.0
	6604	600	1480 psi	Reduced	17	10-3/4	5-3/8	6-7/16	1-3/4	2-3/16	3-1/8	131.0

When ordering, specify "RF" for raised face or "RJ" for ring joint flange.

Note: All flange valve lengths given are RF. Add 1/8" to length for RJ ASME Class 600.

THREADED END DIMENSIONS



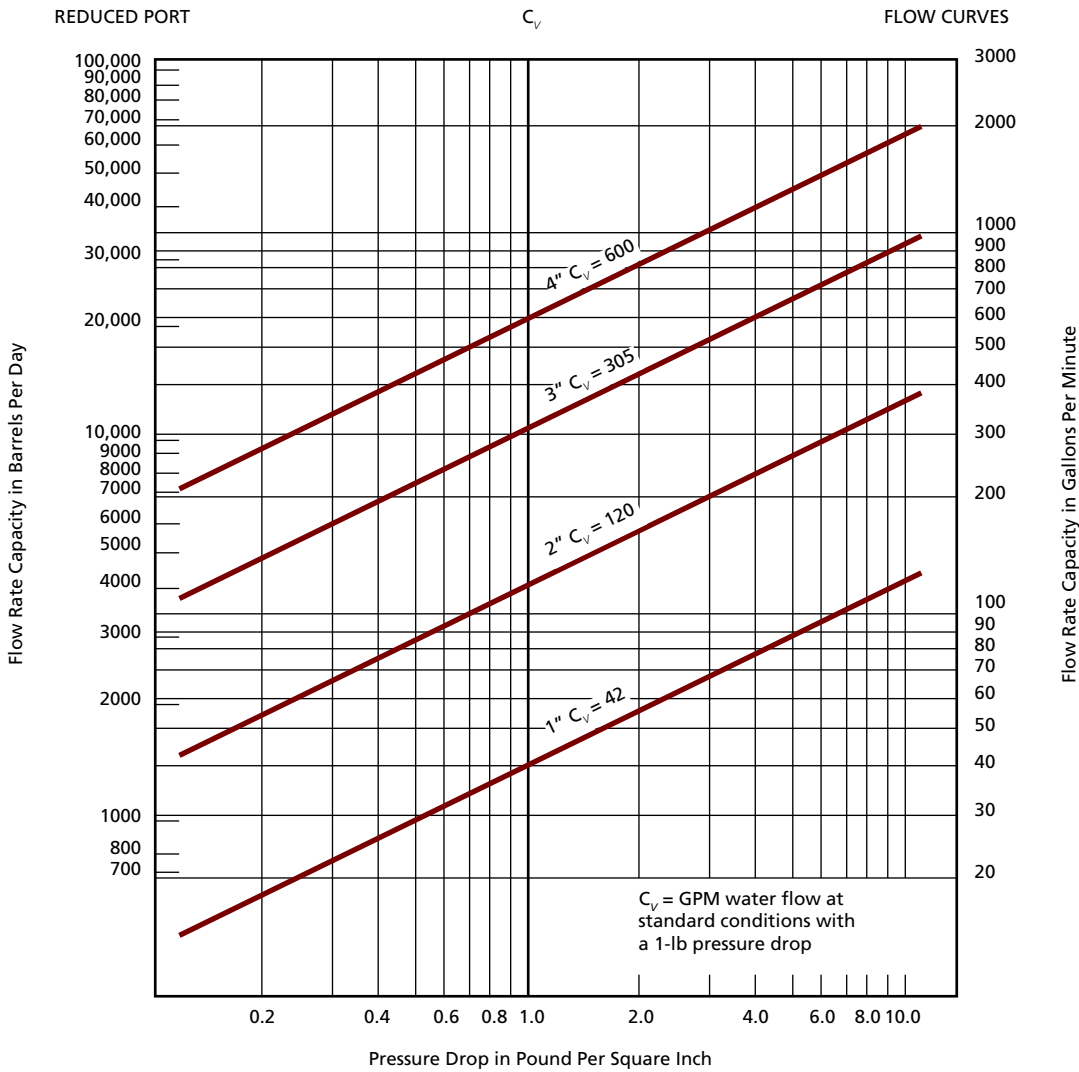
Threaded End Dimensions

Valve Size (in.)	Model Number	Working Pressure	Port Opening	Dimension (inches)							Weight (lb)
				A	H	C	D	E	F	G	
1	204	285 psi	Reduced	5-1/8	2-3/8	1-3/8	3-1/8	1	1-1/8	15/16	5.5
	1004	1000 psi	Reduced	5-1/8	2-3/8	1-3/8	3-1/8	1	1-1/8	15/16	5.5
	1504	1500 psi	Reduced	5-1/8	2-3/8	1-3/8	3-1/8	1	1-1/8	15/16	5.5
	2004	2000 psi	Reduced	5-1/8	2-3/8	1-3/8	3-1/8	1	1-1/8	15/16	5.5
	3004*	3000 psi	Reduced	5-1/8	2-3/8	1-3/8	3-1/8	1	1-1/8	15/16	5.5
2	204	285 psi	Reduced	7-1/4	4-1/32	1-3/8	4-5/16	1-3/8	1-5/16	1-5/8	12.5
	206	285 psi	Full	8-5/8	4-1/2	2-3/16	4-5/8	1	1-5/16	2-1/8	24.0
	1004*	1000 psi	Reduced	7-1/4	4-1/32	1-7/8	4-5/16	1-3/8	1-5/16	1-5/8	12.5
	1006*	1000 psi	Full	8-5/8	4-1/2	2-3/16	4-5/8	1	1-5/16	2-1/8	24.0
	1504*	1500 psi	Reduced	7-1/4	4-1/32	1-7/8	4-5/16	1-3/8	1-5/16	1-5/8	12.5
	1506*	1500 psi	Full	8-5/8	4-1/2	2-3/16	4-5/8	1	1-5/16	2-1/8	24.0
	2004*	2000 psi	Reduced	7-1/4	4-1/32	1-7/8	4-5/16	1-3/8	1-5/16	1-5/8	12.5
2006*	2000 psi	Full	8-5/8	4-1/2	2-3/16	4-5/8	1	1-5/16	2-1/8	24.0	
3	204	285 psi	Reduced	9-9/16	5	2-7/16	4-9/16	1	1-5/16	2-1/8	25.0
	206	285 psi	Full	10-7/8	6-3/4	3-1/4	6-7/16	1-3/4	2-3/16	3-1/8	64.0
	1004	1000 psi	Reduced	9-9/16	5	2-7/16	4-9/16	1	1-5/16	2-1/8	25.0
	1006*	1000 psi	Full	10-7/8	6-3/4	3-1/4	6-7/16	1-3/4	2-3/16	3-1/8	64.0
	1504*	1500 psi	Reduced	9-9/16	5	2-7/16	4-9/16	1	1-5/16	2-1/8	25.0
	1506*	1500 psi	Full	10-7/8	6-3/4	3-1/4	6-7/16	1-3/4	2-3/16	3-1/8	64.0
	2004*	2000 psi	Reduced	9-9/16	5	2-7/16	4-9/16	1	1-5/16	2-1/8	25.0
2006*	2000 psi	Full	10-7/8	6-3/4	3-1/4	6-7/16	1-3/4	2-3/16	3-1/8	64.0	
4	204	285 psi	Reduced	12-1/8	6-3/4	3-3/8	6-7/16	1-3/4	2-3/16	3-1/8	69.0
	1004*	1000 psi	Reduced	12-1/8	6-3/4	3-3/8	6-7/16	1-3/4	2-3/16	3-1/8	69.0
	1504*	1500 psi	Reduced	12-1/8	6-3/4	3-3/8	6-7/16	1-3/4	2-3/16	3-1/8	69.0
	2004*	2000 psi	Reduced	12-1/8	6-3/4	3-3/8	6-7/16	1-3/4	2-3/16	3-1/8	69.0

* When ordering, specify "SW" for socket weld or "BW" for butt weld. Specify pipe schedule for "BW" ends.

FLOW COEFFICIENTS – TORQUE AND WRENCH DATA

Full Opening Valves Exceed Nominal Pipe Size



Torque (ft-lb)

Pressure (psi)	Inches					
	1 RP	2 RP	2 FP	3 RP	3 FP	4 RP
0	6	10	12	12	15	15
200	8	15	27	27	34	34
500	13	25	36	36	48	48
1000	18	31	48	48	60	60
1500	20	37	60	60	90	90
2000	26	42	65	65	105	105
2500	28	-	-	-	-	-
3000	34	-	-	-	-	-

Wrench Data

Valve Size (in.)	Part Number
1 RP	9D-GA1382
2 RP	9D-GB 0445
2 FP	9D-GB 0445
3 RP	9D-GB 0445
3 FP	9D-GB 0879
4 RP	9D-GB 0879

CAMSERV™ Services for Valves and Actuation

WE BUILD IT. WE BACK IT.



Global Network and Local Support

Cameron is well-positioned to deliver total aftermarket support, quickly and efficiently, with unmatched OEM expertise. Our highly skilled engineers and technicians are available around the clock, seven days a week to respond to customer queries, troubleshoot problems and offer reliable solutions.

Easily Accessible Parts and Spare Valves

- OEM spare valves, actuators and parts (including non-Cameron brands)
- Handling, storage, packaging and delivery
- Dedicated stocking program

Comprehensive Aftermarket Services Portfolio

- Parts and spare valves
- Repair
- Field services
- Preventative maintenance
- Equipment testing and diagnostics
- Remanufacturing
- Asset preservation
- Customer property management
- Training and recertification services
- Warranty

Customized Total Valve Care™ (TVC) Programs

Customized asset management plans that optimize uptime, availability and dedicated services.

- Engineering consultancy
- Site management
- Flange management
- Startup and commissioning
- Spare parts and asset management
- Operational support



Trademark Information

TEXSTEAM is a registered trademark which is owned by Cameron.

This document contains references to registered trademarks or product designations, which are not owned by Cameron.

Trademark	Owner
Teflon	E.I. DuPont De Nemours & Company

3250 Briarpark Drive, Suite 300
Houston, TX 77042
USA
Toll Free 1.800.323.9160

Learn more about TEXSTEAM at:
www.c-a-m.com/valves



HSE Policy Statement

At Cameron, we are committed ethically, financially and personally to a working environment where no one gets hurt and nothing gets harmed.