

Threaded End Connection

Series LS Threaded End Stainless Steel

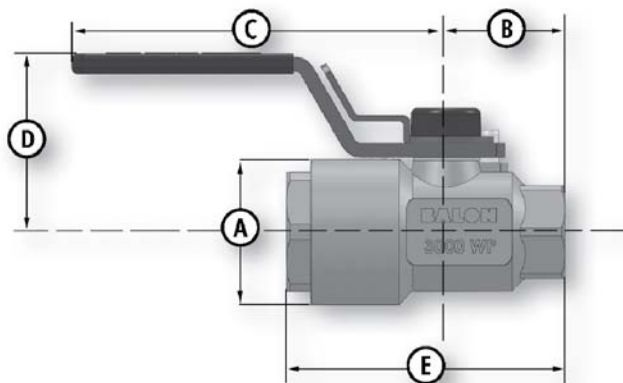
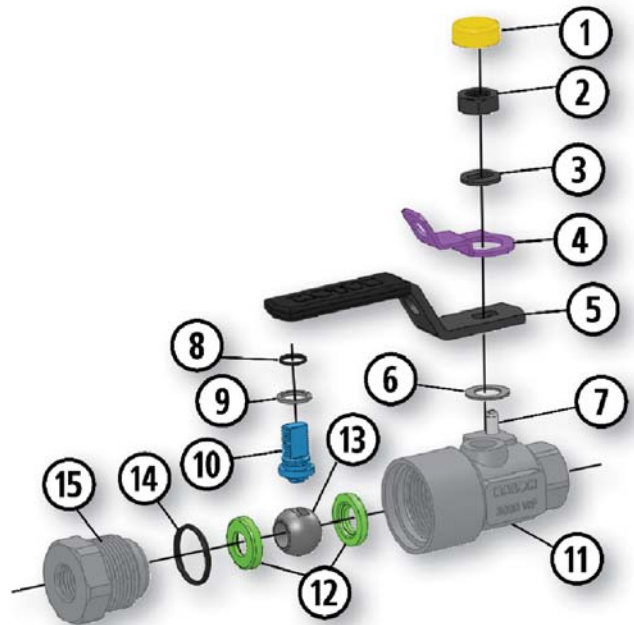


- Lever Operated Ball Valve
- To 3000 PSI WP
- 1/4" Through 1"
- Threaded Body Construction
- Multi-Seal Seats
- NACE Standard
- Exclusive Patented Design Inhibits Loosening of End Adapter
- All Metal Components Made of Stainless Steel
- Maintenance Free

Material Description

| ITEM | PART NAME | MATERIAL (STANDARD) |
|------|---------------|----------------------|
| 1 | Weather Guard | Polyethylene |
| 2 | Stem Nut | Stainless Steel |
| 3 | Spacer | Stainless Steel |
| 4 | Lock Plate | Stainless Steel |
| 5 | Handle* | Stainless Steel |
| 6 | Stem Washer | Acetal |
| 7 | Stop Pin | Stainless Steel |
| 8 | Stem O-Ring | Fluorocarbon |
| 9 | Stem Seal | TFE |
| 10 | Stem | 316 Stainless Steel |
| 11 | Body | 316 Stainless Steel |
| 12 | Ball Seat | Nylon (TFE Optional) |
| 13 | Ball | 316 Stainless Steel |
| 14 | Body O-Ring | Fluorocarbon |
| 15 | Adapter | 316 Stainless Steel |

* Handle and locking device standard on all Series LS Ball Valves.



Dimensional Data

| SIZE | CATALOG | PORT | WP | A | B | C | D | E | LBS. | Cv |
|-------------|----------|------|------|------|------|------|------|------|------|----|
| .25x.37x.25 | LS-02592 | .37 | 3000 | 1.37 | 1.12 | 3.50 | 1.62 | 2.62 | .91 | - |
| .50x.37x.50 | LS-05561 | .37 | 2000 | 1.37 | 1.12 | 3.50 | 1.62 | 2.50 | .75 | 6 |
| .50x.37x.50 | LS-05591 | .37 | 3000 | 1.37 | 1.43 | 3.50 | 1.62 | 3 | 1 | 6 |
| .50x.50x.50 | LS-05592 | .50 | 3000 | 1.58 | 1.38 | 3.50 | 1.96 | 3.00 | 2.5 | - |
| .75x.75x.75 | LS-07592 | .75 | 3000 | 2.12 | 1.75 | 4.87 | 2.25 | 3.75 | 2.5 | - |
| 1x.75x1 | LS-10561 | .75 | 2000 | 2.12 | 1.87 | 4.87 | 2.25 | 3.75 | 2 | 30 |
| 1x.75x1 | LS-10591 | .75 | 3000 | 2.12 | 2 | 4.87 | 2.25 | 4.12 | 2.5 | 30 |