

BVHS 6000 PSI

Stainless Steel Round Body Ball Valves for 6000 PSI, 1"-6"

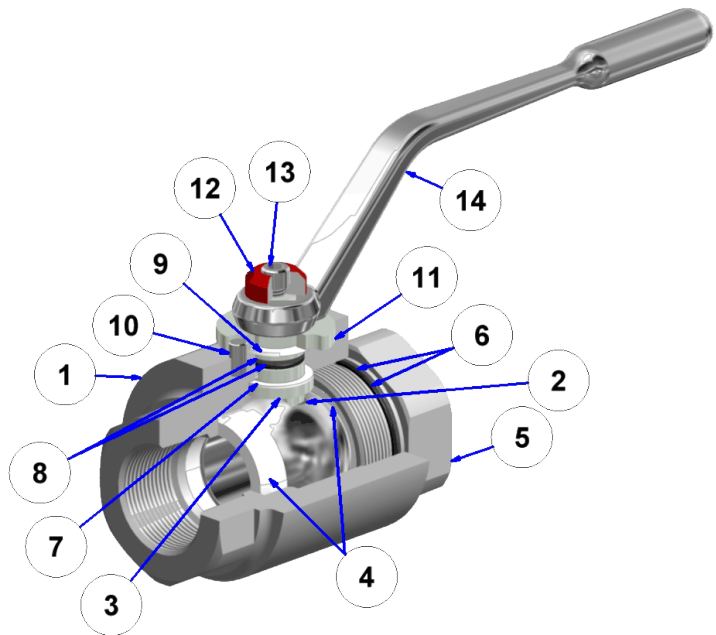


- **Strictly Stainless Steel construction** available in 1"-6" bore sizes
- Valves are full-pressure 6,000 PSI rated for continuous/normal operation
- Resistance to extreme chemical, industrial, outdoor, and marine environments
- Widest array of connection types available
- Standard Delrin™ Ball Seals & Buna-N Elastomer Seals. Other materials available, for full fluid compatibility range
- Wide variety of additional accessories available

*Please note: For valves larger than 2", large pressure differentials may make the valve difficult to open and the pressure balance may be required. Ask your DMIC sales Associate for more info!

Service Parts BOM

BVHS	SERVICE PARTS BOM	
Index	Qty	Description
1	1	Valve Body
2	1	Ball
3	1	Spindle
4	2	Ball Seal
5	1	End Connection(s)
6	1	End Connection O-Ring
7	1	Internal Thrust Washer
8	1	Spindle O-Rings
9	1	External Glide Washer
10	1	Stop Pin
11	1	Stop Washer
12	1	Color Coded Top Cap
13	1	Top Cap Screw
14	1	Handle

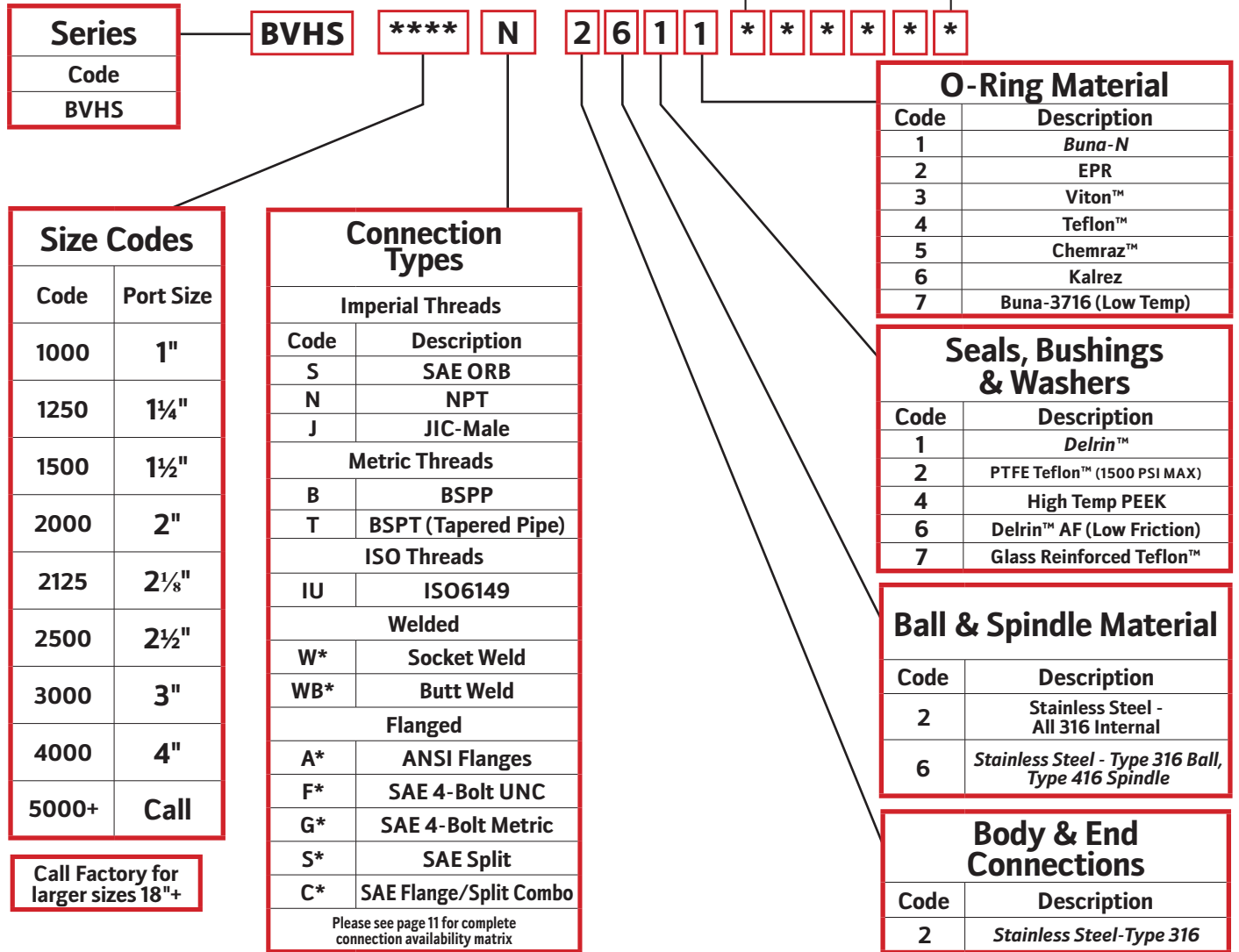


BVHS 6000 PSI

Ordering Codes Summary

Please see the expanded section on Construction Materials and DMIC Pre-Engineered Accessories, pgs 12-15

See page 14 for accessory codes



Note: Changes from Standard Materials may result in changes to temperature and/or pressure rating.

Due to our policy of continual product improvement, the specifications in this catalog may change without notice. When designing by spec, please request a certified print.



BVHS 6000 PSI

BVHS Dimensional Information (1 of 2)

Dimensions B, C, D, E, F, G, & H are common dimensions shared between all BVHS Valves, independent of Connection Type

Threaded Connections (6000 PSI)

Dimension (Inches)		A	B	C	D	E	F	G	H
Port Code(s)	Port Size	Overall Length	Body Diameter	Bore Size	Handle Length	Overall Height	Bottom to Port Center	Port Center to Top	Width
N S B IU Threaded Connections	1"	4.85	3.13	0.88	7.00	5.36	1.56	2.37	3.00
	1 1/4"	4.85	4.00	1.13	9.86	7.00	2.00	3.13	3.75
	1 1/2"	5.35	4.25	1.31	9.86	7.33	2.13	3.33	4.13
	2"	6.54	5.00	1.75	9.86	7.99	2.50	3.62	4.75
	2 1/8"	6.54	5.25	2.00	9.86	8.29	2.63	3.80	5.00
	2 1/2"	7.75	7.44	2.25	12.00	10.45	3.72	5.03	7.44
	3" 4"	Call Factory							

SAE C.61 4-Bolt Flange Connections

Dimension (inches)		-	A	C	J	K	L	M	
Port Code(s)	Port Size	Working PSI	Overall Length FM/GM	Bore Size	Flange Diameter	Flg Pad Short	Flange Pad Long	UNC Bolt Thr	Metric Bolt Thr
FM/GM SAE C.61 4-Bolt Comp. Connections	1"	5000 PSI	5.27	0.88	3.00	1.03	2.06	3/8"	M10
	1 1/4"	4000 PSI	6.90	1.13	3.38	1.19	2.31	7/16"	M10
	1 1/2"		7.09	1.31	3.75	1.41	2.75	1/2"	M12
	2"	3000 PSI	8.06	1.75	4.50	1.69	3.06	1/2"	M12
	2 1/8"		8.06	2.00	4.50	1.69	3.06	1/2"	M12
	2 1/2"	2500 PSI	11.25	2.25	5.00	2.00	3.50	1/2"	M12
	3" 4"	2000 PSI 500 PSI	Call Factory						

SAE C.62 4-Bolt Flange Connections (6,000 PSI)

Dimension (inches)		A	C	J	K	L	M	
Port Code(s)	Port Size	Overall Length	Bore Size	Flange Diameter	Flg Pad Short	Flg Pad Long	UNC Bolt Thr	Metric Bolt Thr
FH/GH SAE C.62 4-Bolt Comp. Connections	1"	5.27	0.88	3.38	1.09	2.25	7/16"	M12
	1 1/4"	6.90	1.13	3.75	1.25	2.63	1/2"	M12
	1 1/2"	7.09	1.31	4.50	1.44	3.13	5/8"	M16
	2"	8.06	1.75	5.50	1.75	3.81	3/4"	M20
	2 1/8"	8.06	2.00	5.50	1.75	3.81	3/4"	M20

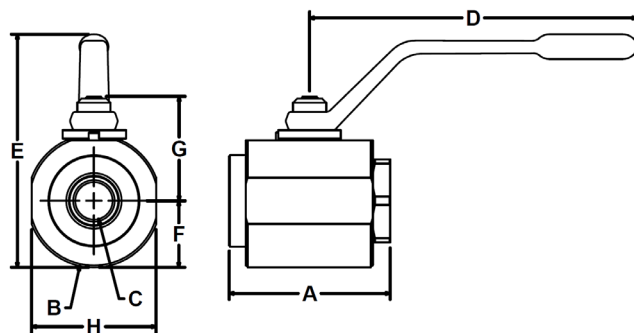
SAE C.61 Split Flange Connections

Dimension (inches)		-	A	C	N	-		A _{CM}
Port Code(s)	Port Size	Working PSI	Overall Length (SM)	Bore Size	O-Ring No.	DMIC Split Flange Kit		Overall Length (CM)
SM & CM SAE C.61 Split & Flange Combo	1"	5000 PSI	6.99	0.88	2-219	FSL-1000SK		6.26
	1 1/4"	4000 PSI	7.51	1.13	2-222	FSL-1250SK		7.53
	1 1/2"		9.84	1.31	2-225	FSL-1500SK		8.84
	2"	3000 PSI	10.12	1.75	2-228	FSL-2000SK		9.60
	2 1/8"		10.11	2.00	2-228	FSL-2000SK		9.54
	2 1/2"	2500 PSI	Call Factory					
	3"	2000 PSI						
4"	500 PSI							

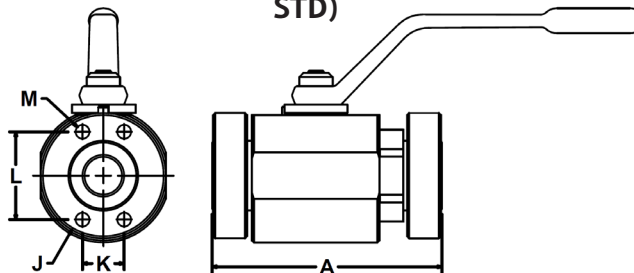
SAE C.62 Split Flange Connections (6000 PSI)

Dimension (inches)		A	C	N	-		A
Port Code(s)	Port Size	Overall Length (SH)	Bore Size	O-Ring No.	DMIC Split Flange Kit		Overall Length (CH)
SH & CH SAE C.62 Split & Flange Combo	1"	7.79	0.88	2-219	FSH-1000SK		6.66
	1 1/4"	8.77	1.13	2-222	FSH-1250SK		8.16
	1 1/2"	11.07	1.31	2-225	FSH-1500SK		9.45
	2"	12.44	1.75	2-228	FSH-2000SK		10.76
	2 1/8"	12.55	2.00	2-228	FSH-2000SK		10.80

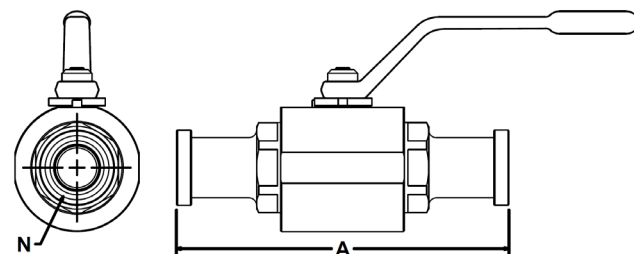
N, S, B, IU THREADED



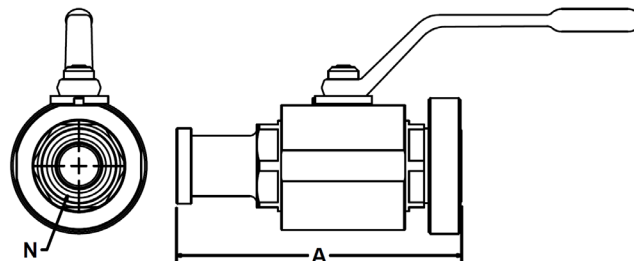
FM/FH, GH/GM, SAE 4 BOLT FLANGE (COMP & STD)



SM/SH SAE SPLIT FLANGE HEAD



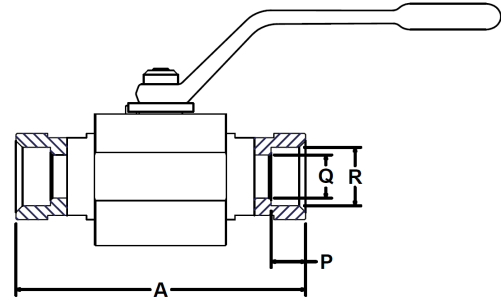
CM/CH SAE 4-BOLT & SPLIT "COMBO" FLANGE



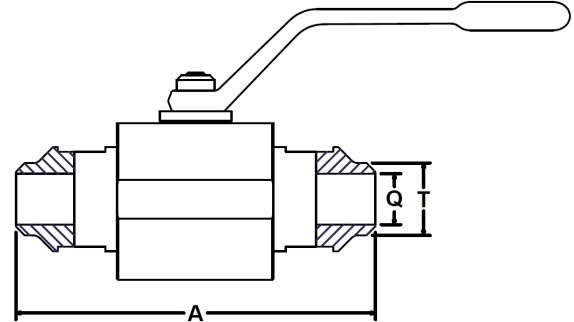
BVHS 6000 PSI

BVHS		Dimensional Information (2 of 2)					
Fixed Socket Weld Connections (6000 PSI)							
Dimension (Inches)		A	C	P	Q	R	
Port Code(s)	Port Size	Overall Length	Bore Size (Ball)	Socket Depth	Connection Inside Diameter	Inside Socket Outer Diameter	
W*	1"	7.67	0.88	1.00	Dependent Upon Pipe Schedule	1.36	
*4-SCH 40	1½"	8.40	1.13	1.00		1.69	
*8-SCH 80	1½"	9.47	1.31	1.00		1.95	
*F-SCH 160	2"	10.60	1.75	1.00		2.44	
*G-XXS	2½"	10.60	2.00	1.00		2.44	
More Sizes Available Upon Request	3"	Call Factory					2.92
	4"						
Fixed Butt-Weld Connections (6000 PSI)							
Dimension (inches)		A	C	T	Q		
Port Code(s)	Port Size	Overall Length	Bore Size	Weld Neck Outside Diameter	Connection Inside Diameter		
WB*	1"	7.92	0.88	1.31	Dependent Upon Pipe Schedule		
*4-SCH 40	1½"	9.01	1.13	1.66			
*8-SCH 80	1½"	9.47	1.31	1.91			
*F-SCH 160	2"	10.60	1.75	2.38			
*G-XXS	2½"	10.60	2.00	2.38			
More Sizes Available Upon Request	3"	Call Factory					
	4"						

W(*) FIXED SOCKET WELD
(*) PIPE SCHEDULE CHARACTER

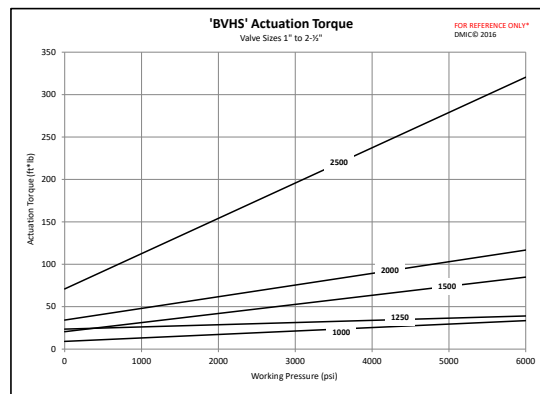
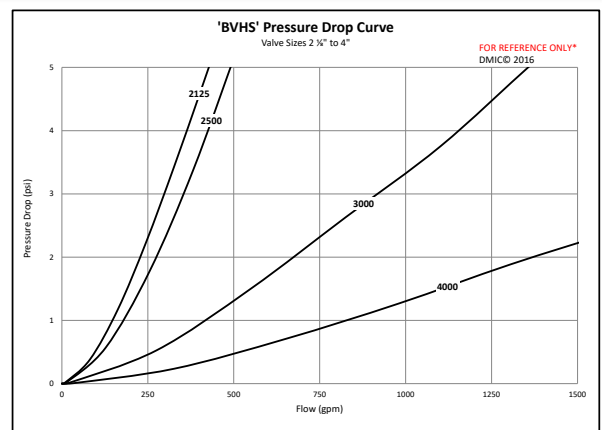
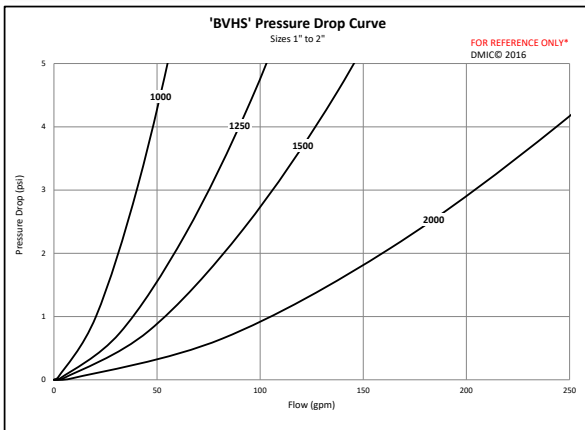


WB(*) FIXED BUTT WELD
(*) PIPE SCHEDULE CHARACTER



***Please Note:**
Always operate System Pressure According to Pipe Schedule. DMIC BVHS Ball Valves are rated at 6000 PSI which may exceed Maximum Allowable due to Pipe Schedule.

Flow Characteristic and Actuation Torque Curves



Due to our policy of continual product improvement, the specifications in this catalog may change without notice. When designing by spec, please request a certified print.

